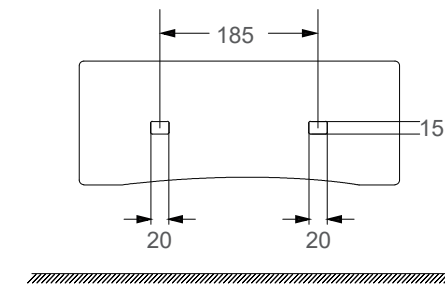
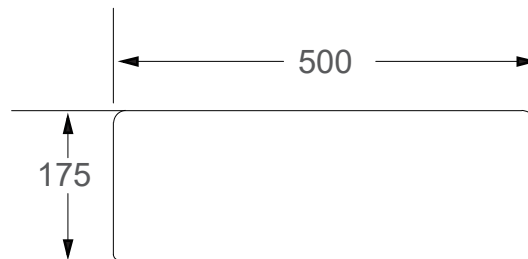
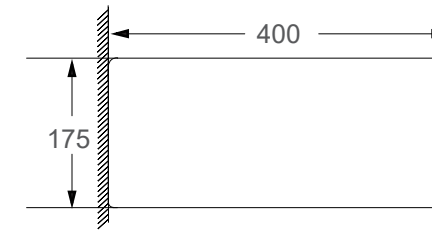
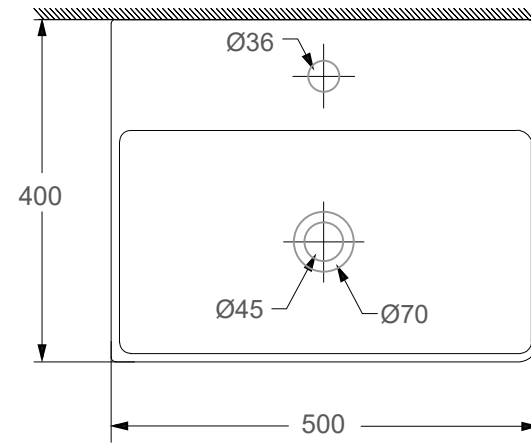


# SRTWB1515



Dimension : L500 x W400 x H175mm